

# Dayspring

Produced under the auspices of the National Spiritual Assembly of  
the Bahá'ís of the United Kingdom.

---

**Sending material for publication:** stories, letters, poems, drawings, news and articles should be sent to the editor at the address below.

N.B. Photographs of children: Under the terms of the Child Protection Act, great care must be taken in the publishing of images of children. Parental permission must be received. Permission cannot be implied by the sending of a photograph but must be given in writing or by email direct from the child's parent or guardian.

**Editor:** Jackie Mehrabi, 95 Georgetown Road, Dumfries, DG1 4DG, Scotland, UK.  
Email: [dayspring@bahai.org.uk](mailto:dayspring@bahai.org.uk) Tel. 01387-249264

**Subscriptions and Distribution:** Wendy Keenan, 96 Lundavra Road,  
Fort William, PH33 6JU, Scotland, UK. Email: [wendy@keen9.fsnet.co.uk](mailto:wendy@keen9.fsnet.co.uk)

*Dayspring* is distributed free to all Bahá'í registered children in the United Kingdom aged five to twelve. Children of this age in the UK who are not registered may also receive it free at the request of a Bahá'í parent or guardian. It is also sent free to the children of pioneers from the United Kingdom.

Others may subscribe as follows:

UK: £10 for 6 issues

Overseas: £17 for 6 issues

Cheques should be made payable to the National Spiritual Assembly of the Bahá'ís of the United Kingdom and sent to Wendy Keenan at her address under Subscriptions above.

Printed by Printsmith, Fort William, Scotland. Tel. 01397-700330

## Acknowledgements

The story "Mr Bell Meets `Abdu'l-Bahá" is based on an account in *Mahmud's Diary* (translated by Mohi Sobhani and published by George Ronald, Oxford), pp. 57–59.

The poem by Alexander Graham Bell can be found on the American Congress Library website with permission to use for educational and non-commercial purposes only.

The Alexander Graham Bell games are from an educational website [www.bell.uccb.ns.ca/kids](http://www.bell.uccb.ns.ca/kids) (or do a search under "Alexander Graham Bell's Games").

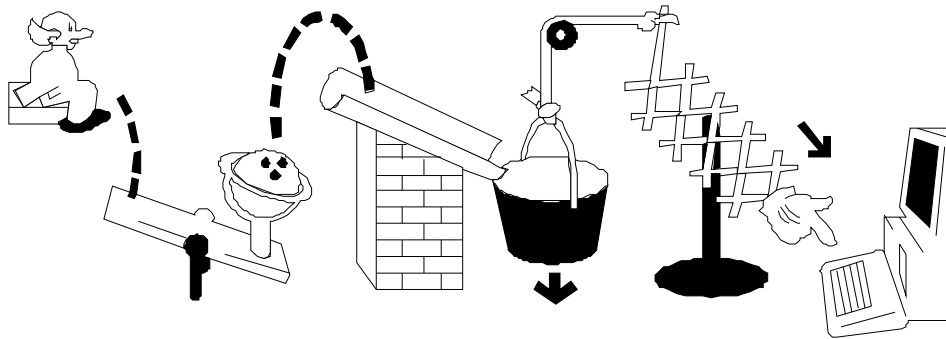
The article under "People and Places" was adapted from *The Bahá'í World News Service*.

The idea and most of the verses for the poem couplets "I Love..." came from Joanne Schwandes.

The story "Harmony of Religion and Science" by R. E. Ford is reprinted here with the kind permission of the publisher, George Ronald, Oxford.

**July–October 2005**

**Issue 61**



Dear Children,

This issue of *Dayspring* is about discovering and inventing things. One story is about discovering Heaven! Another is about a Bahá'í who found ways to make fuel for cars out of coconut oil. Another is about a famous man called Mr Bell who invented the telephone and met `Abdu'l-Bahá. And yet another is about a boy called Gordon who loved to play football and discovered a way to invite a friend to a children's class.

I hope you will send your 2-line poems (see pages 22–23 ) and continue to send your drawings and stories.

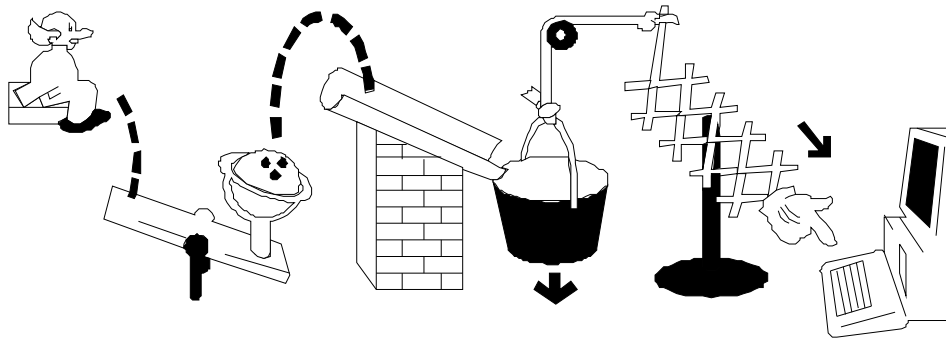
Love,  
Jackie

p.s. Do you remember the story in the last issue of *Dayspring* about raising money to buy a new Bahá'í Centre in Edinburgh? Well, a lovely house has now been bought not far from the street where `Abdu'l-Bahá stayed when He visited Edinburgh in 1913.



---

**Note to adults and children:** Due to a computer problem, I may not have received all emails sent to *Dayspring* during the last few months. The problem has now been rectified and I apologise for any inconvenience or disappointment caused. If you have sent anything by email and not had an acknowledgement, please send it again if possible.



Dear Children,

This issue of *Dayspring* is about discovering and inventing things. One story is about discovering Heaven! Another is about a Bahá'í who found ways to make fuel for cars out of coconut oil. Another is about a famous man called Mr Bell who invented the telephone and met `Abdu'l-Bahá. And yet another is about a boy called Gordon who loved to play football and discovered a way to invite a friend to a children's class.

I hope you will send your 2-line poems (see pages 22–23 ) and continue to send your drawings and stories.

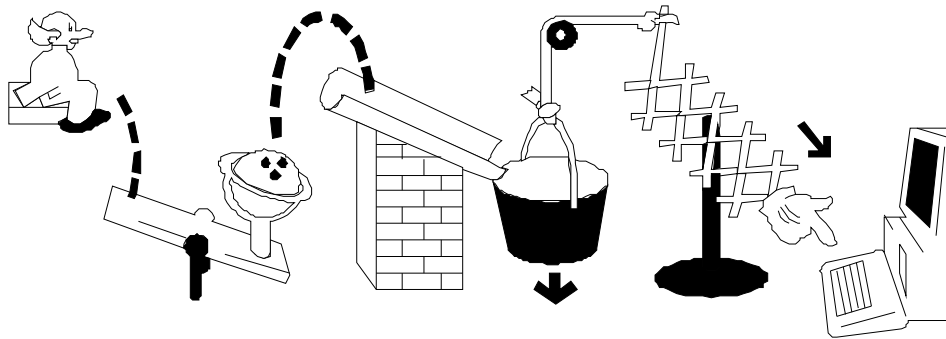
Love,  
Jackie

p.s. Do you remember the story in the last issue of *Dayspring* about raising money to buy a new Bahá'í Centre in Edinburgh? Well, a lovely house has now been bought not far from the street where `Abdu'l-Bahá stayed when He visited Edinburgh in 1913.



---

**Note to adults and children:** Due to a computer problem, I may not have received all emails sent to *Dayspring* during the last few months. The problem has now been rectified and I apologise for any inconvenience or disappointment caused. If you have sent anything by email and not had an acknowledgement, please send it again if possible.



Dear Children,

This issue of *Dayspring* is about discovering and inventing things. One story is about discovering Heaven! Another is about a Bahá'í who found ways to make fuel for cars out of coconut oil. Another is about a famous man called Mr Bell who invented the telephone and met `Abdu'l-Bahá. And yet another is about a boy called Gordon who loved to play football and discovered a way to invite a friend to a children's class.

I hope you will send your 2-line poems (see pages 22–23 ) and continue to send your drawings and stories.

Love,  
Jackie

p.s. Do you remember the story in the last issue of *Dayspring* about raising money to buy a new Bahá'í Centre in Edinburgh? Well, a lovely house has now been bought not far from the street where `Abdu'l-Bahá stayed when He visited Edinburgh in 1913.



---

**Note to adults and children:** Due to a computer problem, I may not have received all emails sent to *Dayspring* during the last few months. The problem has now been rectified and I apologise for any inconvenience or disappointment caused. If you have sent anything by email and not had an acknowledgement, please send it again if possible.